

Make your Pet Care dream a reality! Easy financing solutions for every budget.

We offer variable low monthly payment options from 12 to 60 months - and you don't have to pay for 90 days. Visit us online to see how you qualify.



**NO PAYMENTS
FOR
90 DAYS**

Financing Options

| | | |
|-----------------|-----------|-----------------|
| \$2,500 | as low as | \$69/mo |
| \$5,000 | as low as | \$138/mo |
| \$8,000 | as low as | \$221/mo |
| \$10,000 | as low as | \$276/mo |
| \$15,000 | as low as | \$414/mo |

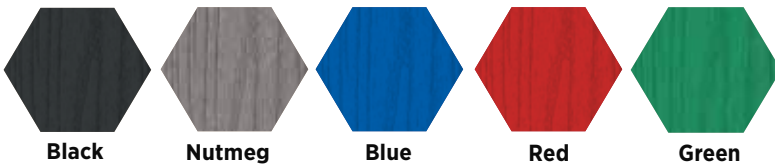
*Rates shown will vary as rates are based on market conditions and other credit variables.



The Gyms For Dogs® Petcare Play Series products are designed for the Pet Care Professionals, for those great professionals who take care of our beloved pets; Veterinary Clinics, Doggie Day Care, Grooming Facilities, Animal Sanctuaries, Boarding, Resorts, Ranches, Zoological Facilities, Trainers, Pet-sitters and Walkers and all the great people that help enrich the lives of our pets. Our Play Series features more space efficient smaller frames and are built for indoor or outdoor use.

Gyms For Dogs® ColorPlay™ selection process allows you to pick from our standard colors or also pick custom colors when available. Standard colors and Premiere Colors are shown below. Custom colors may be available upon request. Colors may vary slightly from images.

ColorPlay™ - Standard Colors



ColorPlay™ - Premier Colors



**CANINE CANCER
AWARENESS**

Adjustable Jump Hurdle - **play Series**

DL-AJH-PT-RPW — 39" W x 18" D

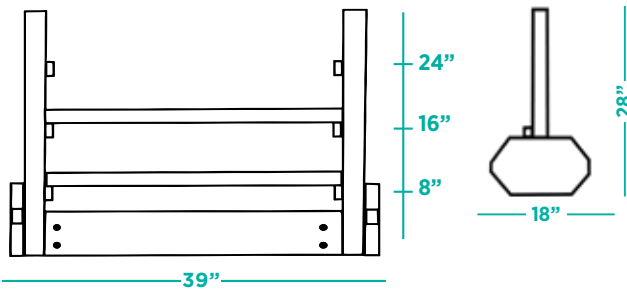
1st Jump: 8" H 2nd Jump: 16" H 3rd Jump: 24" H

Great for dogs of all sizes. Features safe and interactive play, structured with adjustable easy pop-out bars. Great for cognitive development and hind quarter and shoulder muscular development.

Product & Shipping Dimensions

Dimensions: 33" L X 33" W X 18" H - 297 lbs

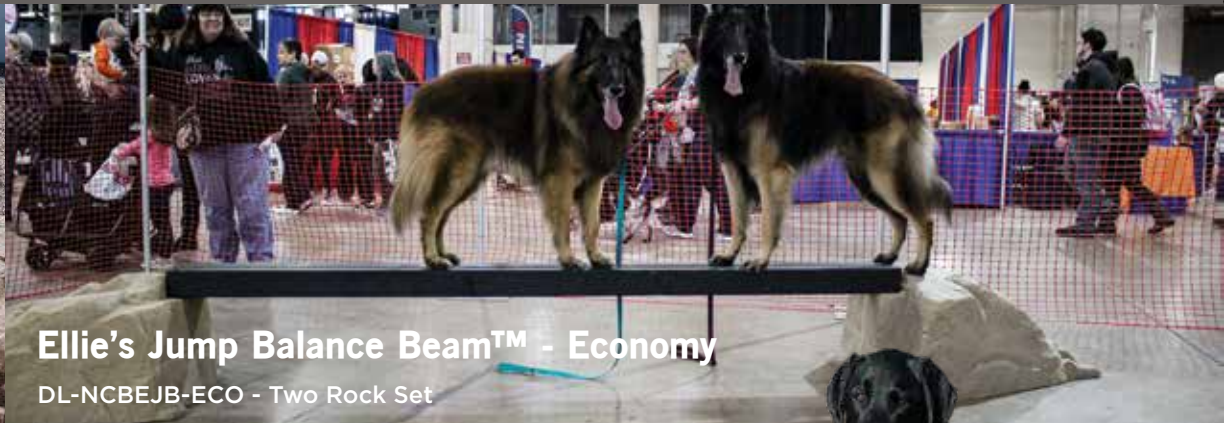
Mount Type: Surface



Economy Lightweight Boulder



Small Economy Boulder



Ellie's Jump Balance Beam™ - Economy

DL-NCBEJB-ECO - Two Rock Set

Small Economy Boulder



Climbing Boulder – Small

DL-NCBSML-ECO

Lightweight, easy to move and clean

Medium Economy Boulder



Climbing Boulder – Medium

DL-NCBMED-ECO

Lightweight, easy to move and clean



Play Series

GYMS FOR DOGS®
Natural Dog Park Products®

Training Platform- **Play Series**

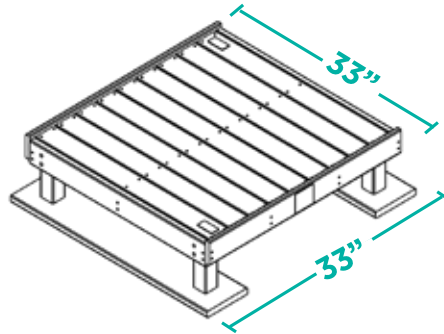
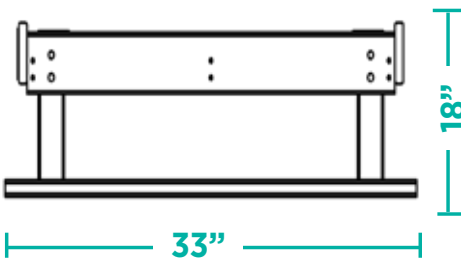
DL-TP1-RPW — Standard Colors

DL-TP1-RPWP — Premier Colors

The Training Platform - Play Series provides a place for dogs to take a rest break while running the dog park course. Use this piece to practice commands and new training or groom your pooch while they rest. Keeps dogs off the ground and away from bugs, ticks and insects.

Product Dimensions

Approx. Dimensions: 33" L X 33" W X 18" H



BENEFITS



- ✓ Socialization
- ✓ Relaxation
- ✓ Shade



Exclusive Gyms For Dogs® proprietary features. Black frame, base feet and side rail



*Specialty colors at slight cost increase and additional production time

ALL RIGHTS RESERVED - Gyms For Dogs® products, designs, features, trade names, trademarks, color schemes and specifications are exclusive and proprietary as designed. These products, trade names, features and designs are protected by proprietary Product Trade Dress, Patent Pending, Patented, Trademark, Copyright and other common law rights. These products, features, names or dress are not to be copied, reproduced, simulated or duplicated in any manner without an expressed written consent or license agreement from Gyms For Dogs®. Please contact company if interested in licensing or product distribution.

Mini Hill Climb™ - Play Series

DL-MH1-RPW — Standard Colors

DL-MH1-RPWP — Premier Colors

The Mini Hill Climb™ - Play Series is ideal for dogs of all sizes and features a smaller frame for space efficiency. Dogs of all sizes will love to race up and down the incline.

Product Dimensions

Approx. Dimensions: 4' L X 30" W X 18" H

Hardware

Powder Coated Color Match Stainless Steel and Galvanized Hardware.

Materials

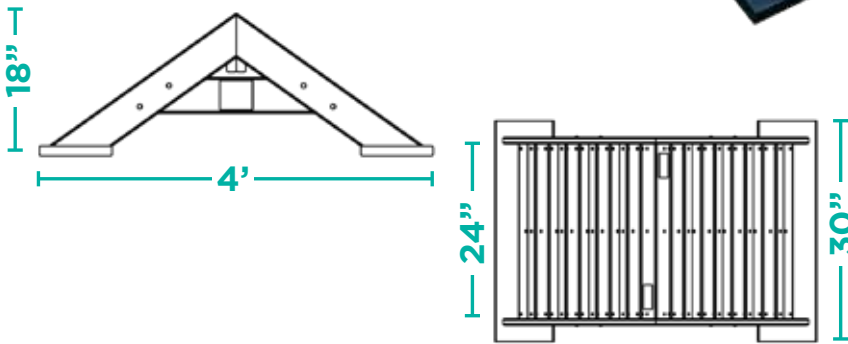
Earth friendly heavy commercial strength re-enforced recycled structural grade plastic made to be resistant to strenuous environmental elements, extreme weather conditions and load bearing requirements. UV additives are added to prevent deterioration from exposure to sunlight. Built for heavy commercial use.

Warranty

50 year materials warranty, one year warranty on craftsmanship and 5 year warranty on hardware.



*Specialty colors at slight cost increase and additional production time



Exclusive Gyms For Dogs® proprietary features.



BENEFITS

- ✓ Cognitive Stimulation
- ✓ Balance & Coordination
- ✓ Endurance
- ✓ Muscular Development

ALL RIGHTS RESERVED - Gyms For Dogs® products, designs, features, trade names, trademarks, color schemes and specifications are exclusive and proprietary as designed. These products, trade names, features and designs are protected by proprietary Product Trade Dress, Patent Pending, Patented, Trademark, Copyright and other common law rights. These products, features, names or dress are not to be copied, reproduced, simulated or duplicated in any manner without an expressed written consent or license agreement from Gyms For Dogs®. Please contact company if interested in licensing or product distribution.

Play Series



Bridge Climb™ - Play Series

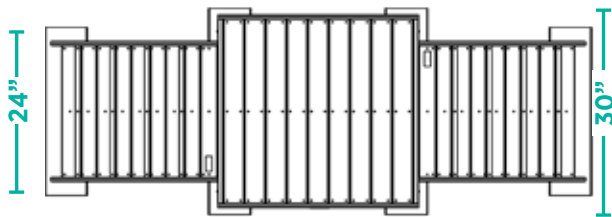
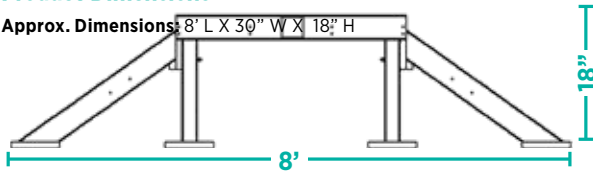
DL-BC1-RPW — Standard Colors

DL-BC1-RPWP — Premier Colors

The Bridge Climb™ - Play Series is shorter allowing it to fit perfectly into any limited space. Dogs love to rest on top or underneath and run and down the incline/decline. Great for doggie daycare facilities! Multi-function exercise and training product. Great for cardiovascular and muscular development.

Product Dimensions

Approx. Dimensions: 8' L X 30" W X 18" H



BENEFITS

- ✓ Cognitive Learning
- ✓ Balance & Coordination
- ✓ Muscular Development
- ✓ Endurance
- ✓ Cardiovascular Training



Nutmeg (Standard)

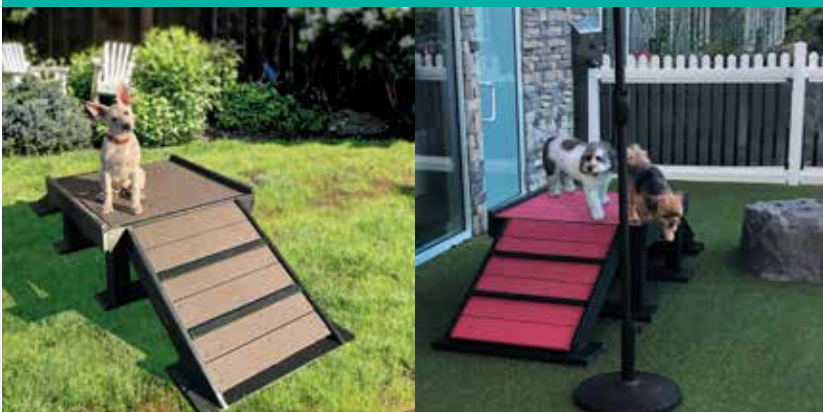
Blue

Red

Green*

Pink*

Exclusive Gyms For Dogs® proprietary features.



Exclusive Proprietary Product Dress, Patent Pending & Patented Product Features

Unique Gyms For Dogs® exclusive product features.

- Featuring Gyms For Dogs® distinctive unique **Black Frames**
- Gyms For Dogs® proprietary **Large Base Feet**
- Decorative **Side Rails** as part of the Frame Kit
- Gyms For Dogs® proprietary **Plank System** offering specific and various colors and materials
- Unique Gyms For Dogs® designs featuring **Proprietary Angles** and **Product Dimensions** to provide a safe and fun play environment for dogs
- Designed solely to enhance a dogs health and exercise benefits when using the product
- All products are pre-assembled, or very minor assembly required
- Gyms For Dogs® proprietary 'Do-It-Yourself' Frame Kits available for DIY projects. If interested in procuring just the frame kits, please contact Gyms For Dogs®

ALL RIGHTS RESERVED - Gyms For Dogs® products, designs, features, trade names, trademarks, color schemes and specifications are exclusive and proprietary as designed. These products, trade names, features and designs are protected by proprietary Product Trade Dress, Patent Pending, Patented, Trademark, Copyright and other common law rights. These products, features, names or dress are not to be copied, reproduced, simulated or duplicated in any manner without an expressed written consent or license agreement from Gyms For Dogs®. Please contact company if interested in licensing or product distribution.