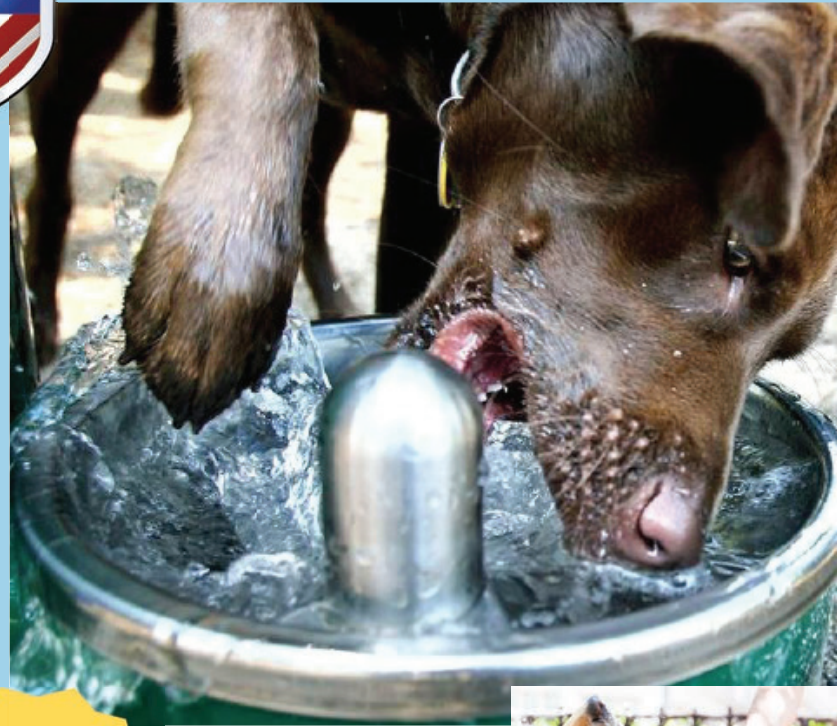




COOL DOG™
WATER FOUNTAINS



DL-1000-STE
Dog Basin

DL-1000-DWC-STE
Dog Basin w/ Hose Bib

**ARCHITECTURAL SERIES
THE DOGGIE WATER FOUNTAIN**

The Premier Signature Exclusive Fountains for Luxury Setting and Long Lasting Performance

GENERAL

Steel Outdoor Fountain with rounded corner design, heavy duty steel with textured powder-coat finish and E-Coat immersion for year-round beauty with minimum maintenance. The E-Coat immersion process coats the inside and outside for the ultimate in corrosion protection.

BUBBLER

Vandal resistant bubbler is one-piece, heavy-duty construction. Unit has integral hood guard design to prevent contamination from other users, airborne desoposits and tampering

BASIN

Contour-formed stainless steel design with rounded edges reduces splatter, ensures proper drainage and prevents standing water. Deep basin for dogs.

PUSHBUTTON ACTUATION MECHANISM

Self-closing, vandal-resistant pushbutton does not require grasping or twisting

INLET STRAINER

Easily cleaned in-line strainer screen traps particles of 140 microns or larger before they enter the waterway.

ACCESS PANELS

Heavy-gauge steel with vandal-resistant screws. Provides access for easy hook-up of all plumbing connections.

PET FOUNTAIN

Actuated by upper pushbutton. Slow drainage feature for easy drinking.

WARRANTY

5 year warranty.



**DRINK.
COOL.™**

**DRINK.
WASH.
COOL.™**



OPTIONAL HOSE BIB

Gyms For Dogs™ - Cool Dog™ products, designs, color schemes, and specifications are exclusive and proprietary as offered. All Rights Reserved. Please contact company if interested in product distribution.



ColorPlay™ Color Selection

Premium heavy duty outdoor commercial powder-coated stainless-steel. Architectural colors enhance the beauty of the product offered.



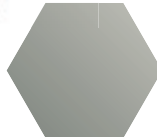
COOL DOG™
WATER FOUNTAINS



Black



Gray



Blue

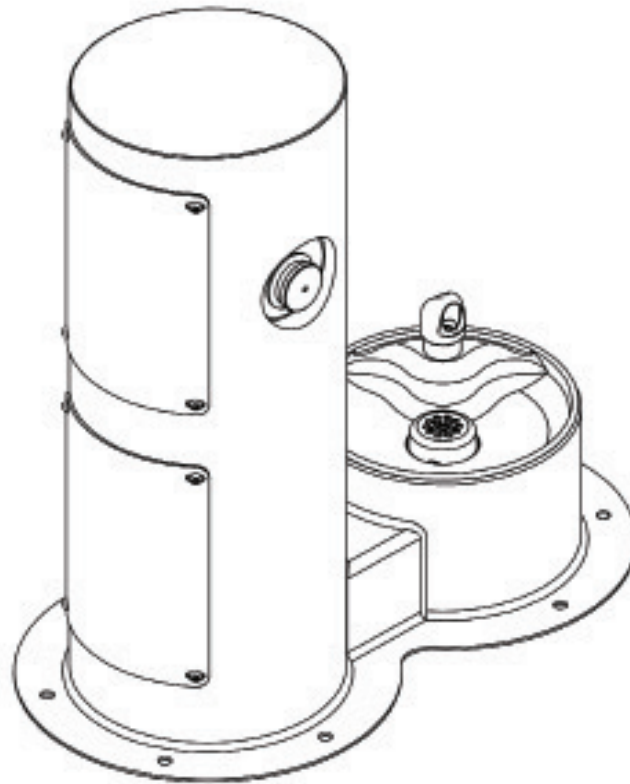


Green



Gyms For Dogs™ - Cool Dog™ products, designs, color schemes, and specifications are exclusive and proprietary as offered. All Rights Reserved. Please contact company if interested in product distribution.

**COOL DOG™ ARCHITECTURAL SERIES
MODEL DL-1000-STE
THE DOGGIE WATER FOUNTAIN**



INSTALLER

To assure you install these models easily and correctly, PLEASE READ THESE SIMPLE INSTRUCTIONS BEFORE STARTING THE INSTALLATION. CHECK YOUR INSTALLATION FOR COMPLIANCE WITH PLUMBING, ELECTRICAL, AND OTHER APPLICABLE CODES. After installation, leave these instructions with the Fountain for future reference.

Gyms For Dogs™ - Cool Dog™ products, designs, color schemes, and specifications are exclusive and proprietary as offered. All Rights Reserved. Please contact company if interested in product distribution.

**COOL DOG™ ARCHITECTURAL SERIES
MODEL DL-1000-STE
THE DOGGIE WATER FOUNTAIN
INSTALLATION INSTRUCTIONS**



IMPORTANT

**ALL SERVICE TO BE PERFORMED BY AN AUTHORIZED SERVICE PERSON
IMPORTANT! INSTALLER PLEASE NOTE.**

THE GROUNDING OF ELECTRICAL EQUIPMENT SUCH AS TELEPHONE, COMPUTERS, ETC. TO WATER LINES IS A COMMON PROCEDURE. THIS GROUNDING MAY BE IN THE BUILDING OR MAY OCCUR AWAY FROM THE BUILDING. THIS GROUNDING CAN CAUSE ELECTRICAL FEEDBACK INTO A FOUNTAIN, CREATING AN ELECTROLYSIS WHICH CAUSES A METALLIC TASTE OR AN INCREASE IN THE METAL CONTENT OF THE WATER. THIS CONDITION IS AVOIDABLE BY USING THE PROPER MATERIALS AS INDICATED. ANY DRAIN FITTINGS PROVIDED BY THE INSTALLER SHOULD BE MADE OF PLASTIC TO ELECTRICALLY ISOLATE THE FOUNTAIN FROM THE BUILDING PLUMBING SYSTEM.

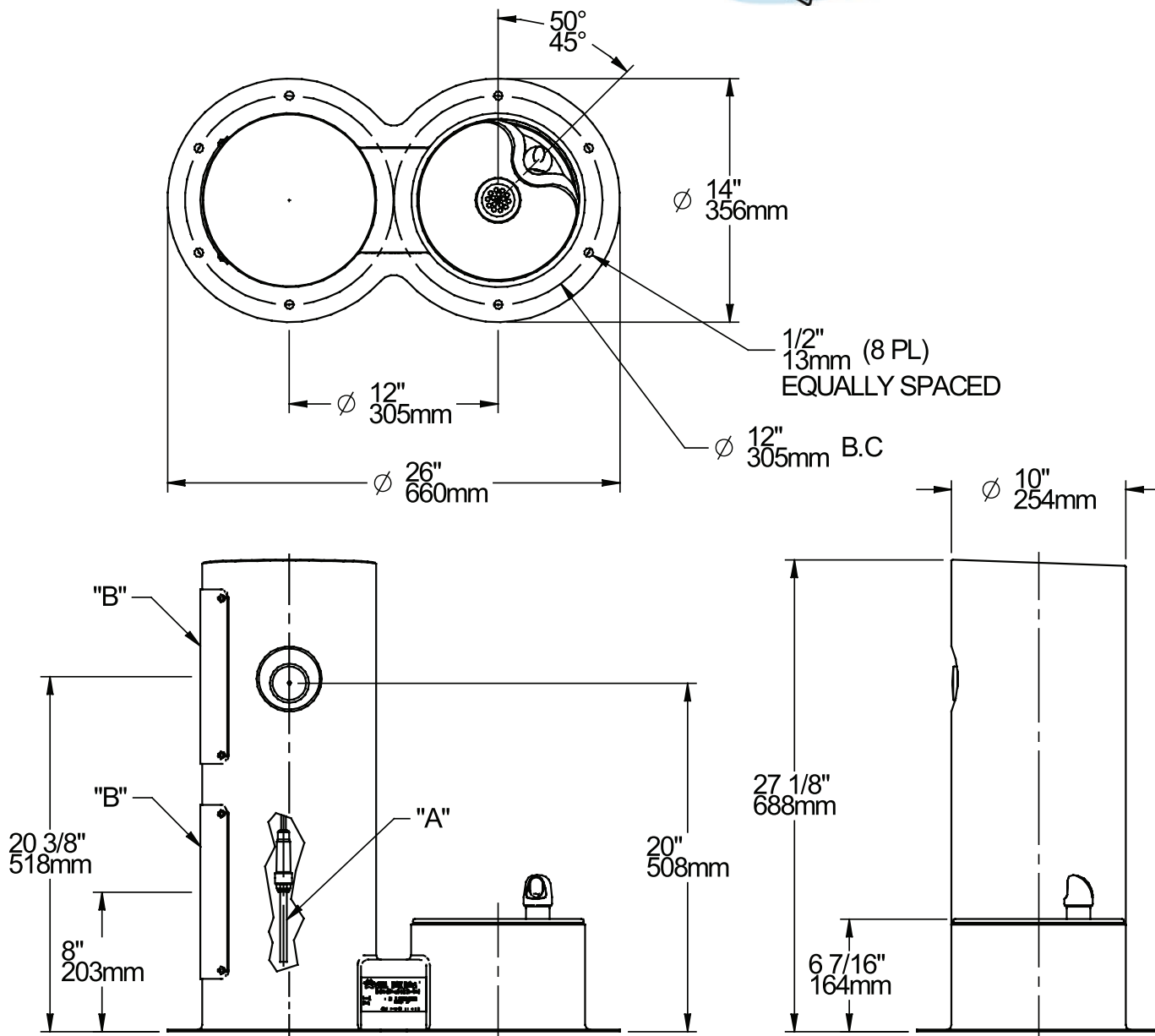
1. This fountain is to be mounted on a smooth, flat, finished surface with adequate support structure. NOTE: Mounting structure must be capable of supporting 300 lb. load on fountain.
2. Refer to rough-in for plumbing.
3. Install shut-off valve on water supply. (Valve not furnished)
4. Locate and install fountain using 3/8" minimum fasteners. (Fasteners not furnished)
5. Connect water supply and fountain drain. Connect drain waste "Tee" to fountain drain tubes. Connect outlet of "Tee" to drainage system. Water connection and drain must comply with local codes.
6. Turn on water supply and check all connections for leaks.

CAUTION: This fountain is rated for inlet water pressure of 20-105 PSI. A pressure reducing regulator should be used if the inlet water supply exceeds 105 PSI. Any damage caused by reason of connecting this product to supply line pressures lower than 20 PSI or higher than 105 PSI is not covered by warranty.

7. Water supply 3/8" O.D. unplated copper tube. Waste 1-1/2" IPS. Contractor to supply waste trap and service stop valve in accordance with local code.
8. Connecting lines to be made of unplated copper and should be thoroughly flushed to remove all foreign matter before being connected to fountain. This fountain is manufactured in such a manner that it does not in any way cause taste, odor, color, or sediment problems.
9. Connect fountain to supply line with a shut-off valve and install a 3/8" unplated copper water line between the valve and the fountain. Remove any burrs from outside of water line. Push the tubes straight into the fittings until they reach a positive stop, approximately 3/4" (See Fig. 2). DO NOT SOLDER TUBES INSERTED INTO THE STRAINER AS DAMAGE TO THE O-RINGS MAY RESULT.
10. WINTER : Remember to winterize your fountain during month where ground freeze may occur.

Customer Service & Sales 800-931-1562 ph. Sales@CoolDogWaterFountains.com

**COOL DOG™ ARCHITECTURAL SERIES
MODEL DL-1000-STE
THE DOGGIE WATER FOUNTAIN**



LEGEND

- A = 3/8" O.D. UNPLATED COPPER TUBE CONNECT - SHUT OFF VALVE BY OTHERS.
- B = ACCESS PANEL (8" X 10")

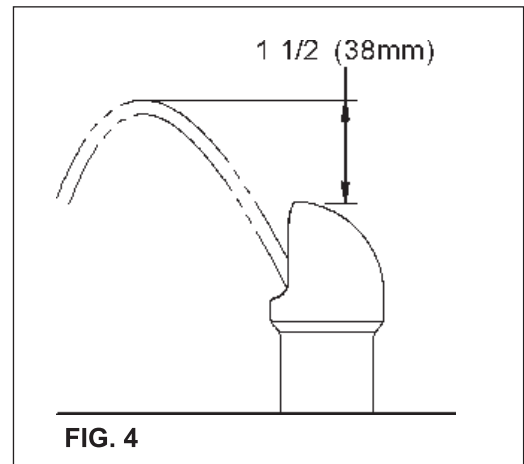
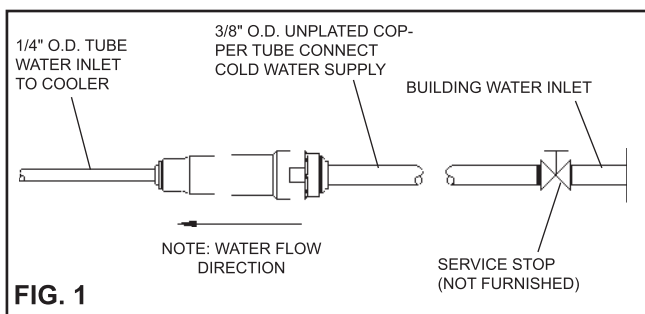
Gyms For Dogs™ - Cool Dog™ products, designs, color schemes, and specifications are exclusive and proprietary as offered. All Rights Reserved. Please contact company if interested in product distribution.

**COOL DOG™ ARCHITECTURAL SERIES
MODEL DL-1000-STE
THE DOGGIE WATER FOUNTAIN**



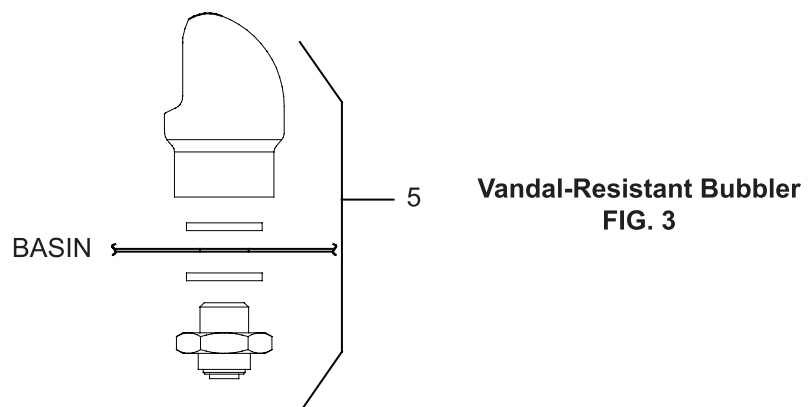
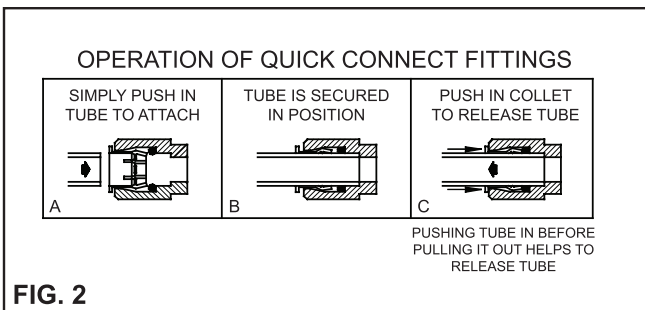
ACTUATION OF QUICK CONNECT WATER FITTINGS:

Fountain is provided with lead-free connectors which utilize an o-ring water seal. To remove tubing from the fitting, relieve water pressure, push in on the gray collar while pulling on the tubing. (see Fig.2) To insert tubing, push tube straight into fitting until it reaches a positive stop, approximately 3/4".

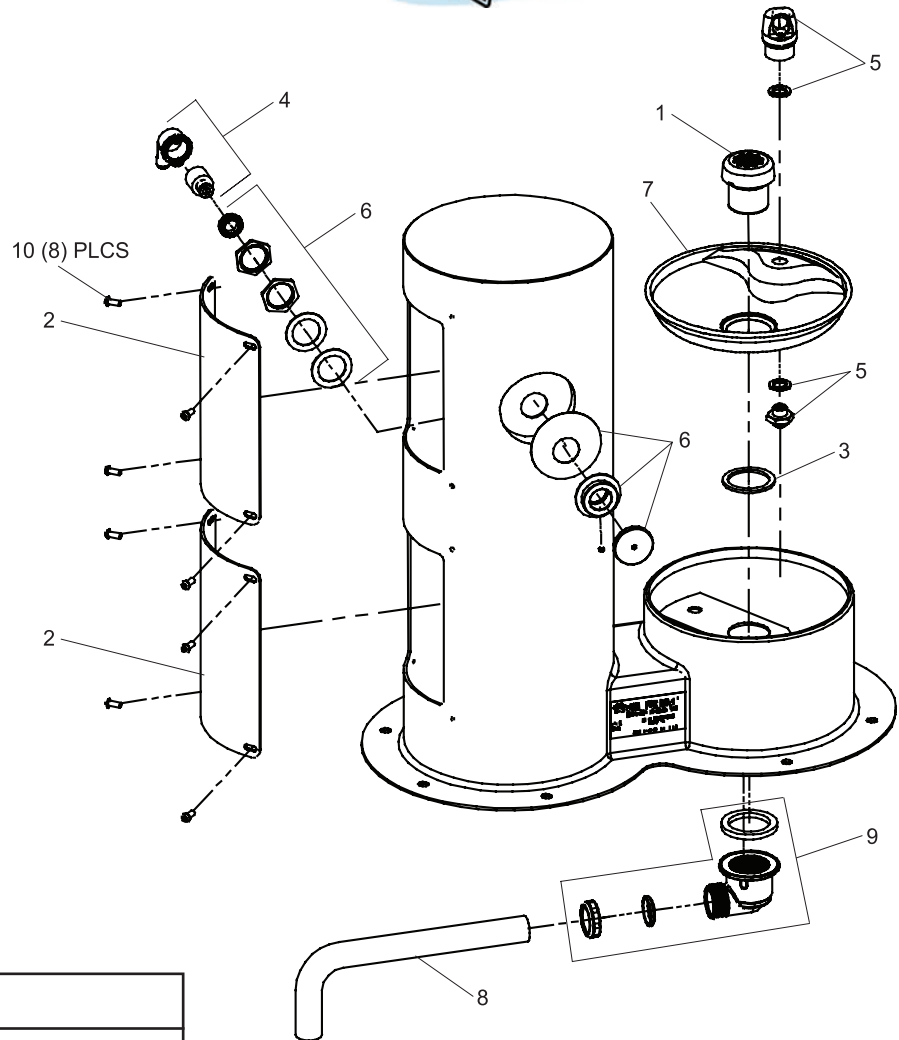


STREAM HEIGHT ADJUSTMENT:

Stream height is factory set at 35 PSI. If supply pressure varies greatly from this, insert a small straight bladed screwdriver through the access hole in the center of the push button and turn the adjustment screw. Clockwise adjustment will raise the stream and counterclockwise adjustment will lower the stream. For best adjustment, the stream should be approximately 1 1/2" above the top of the bubbler. (See Fig. 4)



**COOL DOG™ ARCHITECTURAL SERIES
MODEL DL-1000-STE
THE DOGGIE WATER FOUNTAIN**



ITEMIZED PARTS LIST

ITEM NO.	PART NO.	DESCRIPTION
1	45726C	Drain Plug (Pet Fountain)
2	1000003812*	Access Panel
3	101570540560	Drain Gasket
4	98530C	Kit - Regulator/Holder/Nut
5	0000000466	Kit - Bubbler (Pet Fountain)
6	1000003694	Kit - Push Button w/LK4450DBX Nameplate
7	28467C	Basin
8	1000003718	Drain Tube
9	98684C	Kit - Pet Ftn Drain Elbow/Gasket/Nut/Washer
10	97247C	Kit -VR Torx Screws/Bit
NS	55996C	In-Line Strainer
NS	56092C	Poly Tubing (Cut To Length)



Gyms For Dogs™ - Cool Dog™ products, designs, color schemes, and specifications are exclusive and proprietary as offered. All Rights Reserved. Please contact company if interested in product distribution.

**COOL DOG™ ARCHITECTURAL SERIES
MODEL DL-1000-DWC-STE
OPTIONAL HOSE BIB**



PRODUCT SPECIFICATIONS

Locking Hose Bib. Features shall include 316 Stainless, Heavy Duty Vandal-Resistant. Product shall be Floor Mount/Freestanding

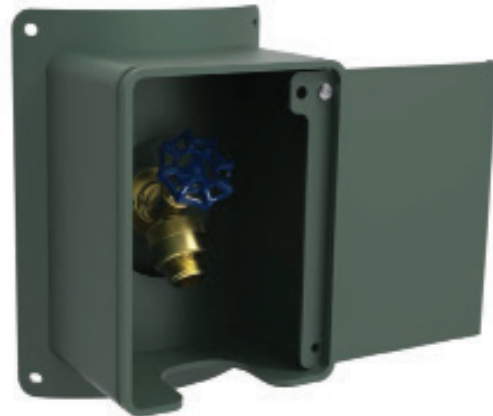
Special Features:	316 Stainless, Heavy Duty Vandal-Resistant
Finish:	Black (BLK), Grey (GRY), Brown (BRN), Evergreen (EVG), Blue (BLU), Red, Orange (ORN), Yellow (YLW)
Mounting Type:	Floor Mount/Freestanding
Chilling Option:	Non-Refrigerated
Dimensions (L x W x H):	7-5/16" x 5-3/16" x 10"
Approx. Shipping Weight:	13 lbs.

Special Note: For use with outdoor tubular fountains and bottle fillers

- Base material constructed from marine-grade 316 stainless steel provides the ultimate corrosion protection from even the most corrosive elements.
- Heavy Duty Vandal-Resistant:
 - Tamper resistant screws
 - Resists stains and corrosion
 - Heavy-gauge construction

Installation Instructions (PDF)

Water Systems are warranted for 5 years from date of installation. Warranty pertains to drinking water applications only. Non-drinking water applications are on covered under warranty.



ColorPlay™ Color Selection

Exclusive Unique Designer Colors available



Black



Gray



Blue



Green

**COOL DOG™ ARCHITECTURAL SERIES
MODEL DL-1000-DWC
OPTIONAL HOSE BIB**

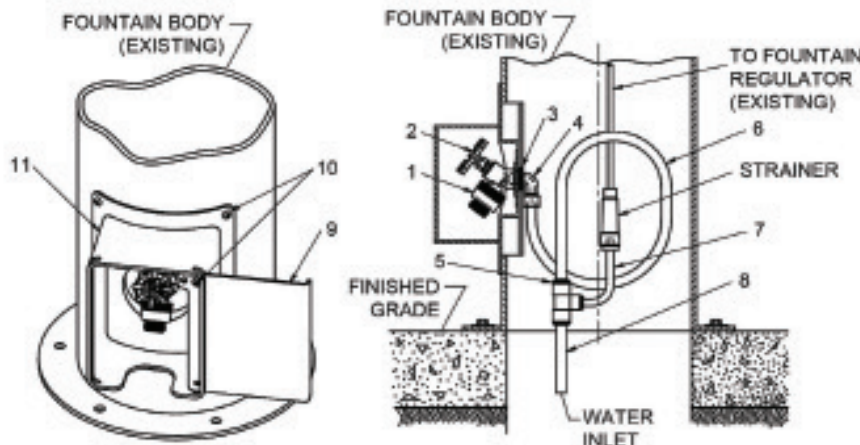
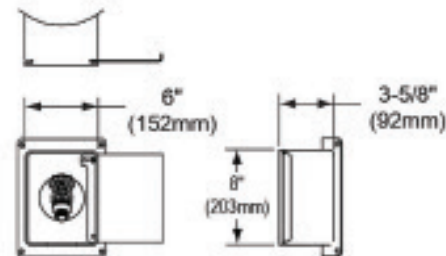


Parts List		
Item No.	Part No.	Description
1	75824C	Fitting - Hose Vacuum Breaker
2	75619C	Faucet - 1/2" NPT
3	70977C	Nut - Lock 1/2" Conduit
4	70972C	Elbow - 90° x 1/2" MPT
5	75623C	Fitting - Tee 1/2" x 1/2" x 3/8"
6	66555C	Tube - 1/2" O.D. x 36.00" Lg.
7	66475C	Tube - 3/8" O.D. Tee to Strainer
8	66641C	Tube - 1/2" O.D. x 4.38" Lg.
9	45838C*	Door - locking Hose Bib
10	75535C	Screw - 1/4-20 x 3/4" Torx
11	45837C*	Panel - Locking Hose Bib
not shown	75521C	Bit - Pinned Torx T-27 (NS)

INSTALLATION INSTRUCTIONS

1. Shut off water supply to fountain.
2. Determine location for installation of Hose Bib Accessory. Remove existing access cover plate. (This accessory is designed to replace the existing access cover.)
3. Disconnect the fountain water line from the main water supply. Connect Tube (Item 8) to existing fountain strainer as shown below.
4. Connect Tee (Item 5) to Tube (Item 8). Connect main water supply to Tee using 1/2" Copper Tube (Item 9). **DO NOT TURN MAIN WATER SUPPLY ON AT THIS TIME!**
5. Connect Hose Bib Accessory water line to the Tee and to the Elbow (Item 5) on the Access Panel (Item 3) using 1/2" Copper Tube (Item 7) as shown below, maintain loop in coil to facilitate installation and removal of Access Panel.
6. Turn on main water supply. Check for leaks. If there are leaks, turn off main water supply and correct the water leaks as required. After insuring that all connections are leak free, leave main water supply on and replace any panels that may have been removed in the installation process.
7. Assemble Hose Bib Accessory to the main fountain body.

*Choose color option from page 1 to complete your item number, add as suffix. Example: 45838C-EVG, 45837C-EVG, or 45838C-EVG

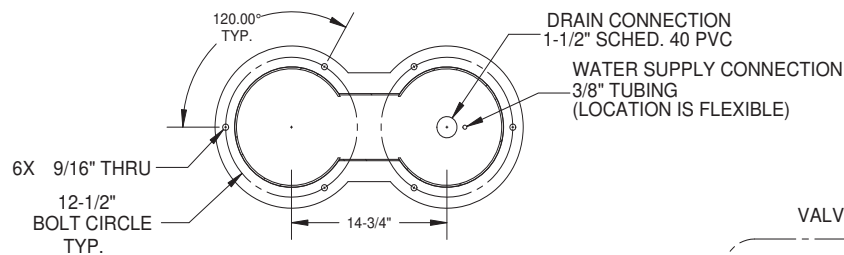


Gyms For Dogs™ - Cool Dog™ products, designs, color schemes, and specifications are exclusive and proprietary as offered. All Rights Reserved. Please contact company if interested in product distribution.

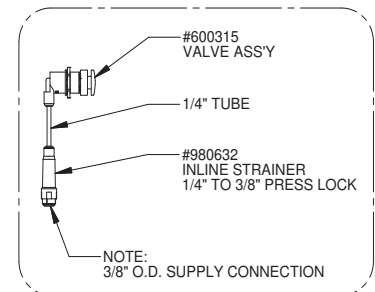
**COOL DOG™ ARCHITECTURAL SERIES
MODEL DL-1000-DWC
OPTIONAL HOSE BIB**



DRAWING: Rough-in Dimensions

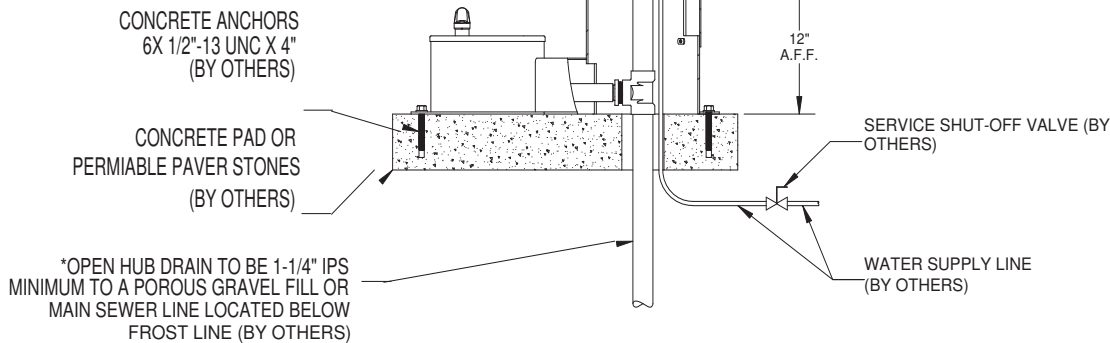


VALVE ASSEMBLY DETAIL



NOTE:
UNIT MUST BE DISCONNECTED AND DRAINED DURING WINTERIZATION, PER THE FOLLOWING RECOMMENDED PRACTICES:

- SHUT OFF WATER SUPPLY TO FIXTURE (SUPPLY STOP AND WATER LINES BY OTHERS)
- DISCONNECT AND REMOVE IN-LINE FILTER
- PRESS AND HOLD PUSHBUTTON FOR 10 SECONDS TO ALLOW WATER LINES TO DRAIN



*check with your local codes

*check with your local codes

Gyms For Dogs™ - Cool Dog™ products, designs, color schemes, and specifications are exclusive and proprietary as offered. All Rights Reserved. Please contact company if interested in product distribution.